



■ Features :

- Battery controller for DIN Rail UPS system
- Parallel connection to DC BUS
- Suitable for 24V system up to 40A
- Installed on DIN Rail TS35 / 7.5 or 15
- Built-in battery test function
- Battery polarity protection
- Relay contact signal output and LED indicator for DC BUS OK, Battery Fail, and Battery Discharge
- Cooling by free air convection
- 3 years warranty

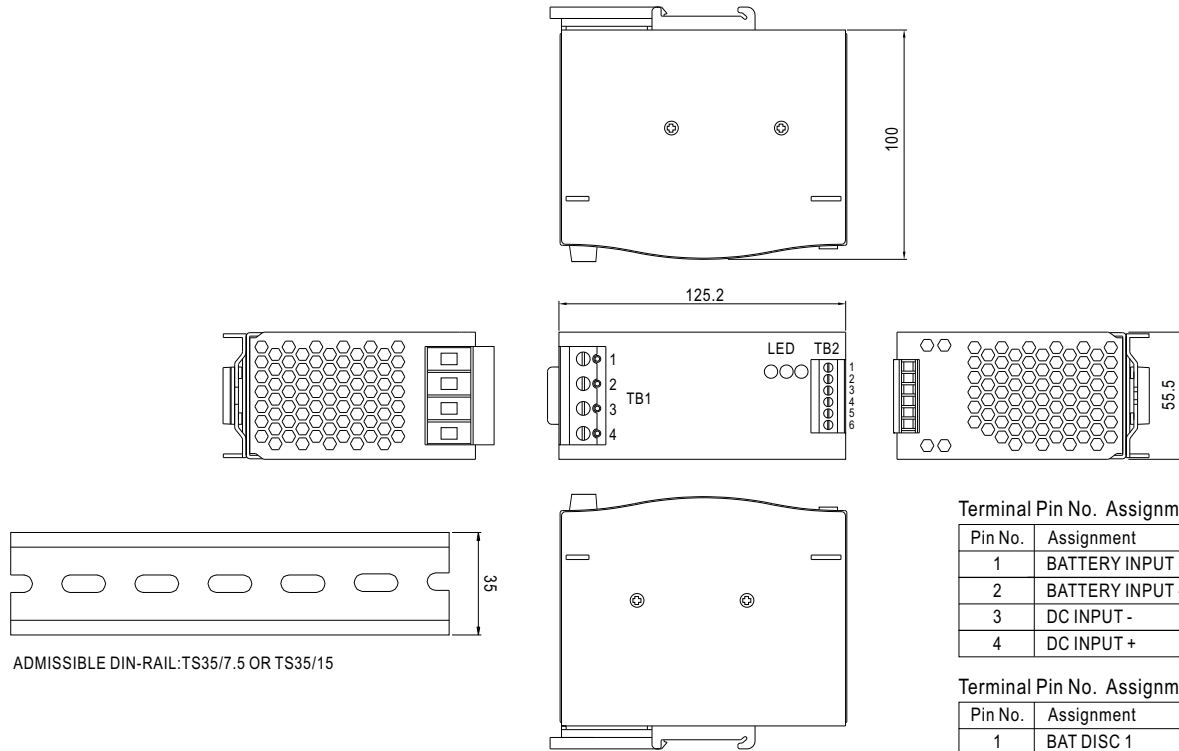


SPECIFICATION

| MODEL | | DR-UPS40 |
|------------------------|---|---|
| DC INPUT / DC BUS | DC VOLTAGE (Typ.) | 24 ~ 29V |
| | RATED CURRENT | 40A |
| BATTERY INPUT / OUTPUT | VOLTAGE RANGE (Typ.) | 21 ~ 29V |
| | CURRENT RANGE | 0 ~ 40A |
| | CHARGE CURRENT (Typ.) | 2A |
| | EXTERNAL BATTERY (Typ.) | 4 / 7 / 12AH / 24V |
| FUNCTION | RELAY CONTACT RATING (max.) | 30VDC, 1A |
| | DC BUS OK | Relay contact : Short when DC voltage between 21~29V(±3%), relay contacts LED(Green) : DC BUS OK : light ; DC BUS fail : dark |
| | BATTERY FAIL <small>Note.2</small> | Relay contact : Short when battery failure is observed through the battery test function, relay contacts LED(Red) : Battery over-discharge warning or battery broken : light ; Battery OK : dark |
| | BATTERY DISCHARGE | Relay contact : Short when battery in discharge condition, relay contacts LED(Yellow) : Battery discharging : light ; Battery is not discharging or discharging current<2.0A : dark |
| ENVIRONMENT | WORKING TEMP. | -20 ~ +70°C |
| | WORKING HUMIDITY | 20 ~ 90% RH |
| | STORAGE TEMP., HUMIDITY | -20 ~ +85°C, 10 ~ 95% RH |
| | VIBRATION | Component : 10 ~ 500Hz, 2G 10min./1cycle, 60min. each X, Y, Z axes ; Mounting : Compliance to IEC600068-2-6 |
| SAFETY & EMC | WITHSTAND VOLTAGE | Terminal-Chassis :0.5KVAC, Relay Contacts-Terminal :0.5KVAC |
| | ISOLATION RESISTANCE | Terminal-Chassis :>100M Ohms/500VDC 25°C 70%RH |
| | EMI CONDUCTION & RADIATION | Compliance to EN55022 (CISPR22) Class B |
| OTHERS | EMS IMMUNITY | Compliance to EN61000-4-2,3,4,5,6,8, ENV50204, heavy industry level, criteria A |
| | MTBF | 161.9Khrs min. MIL-HDBK-217F (25°C) |
| | DIMENSION | 55.5*125.2*100mm (W*H*D) |
| | PACKING | 0.55Kg; 20pcs/12Kg/1.29CUFT |
| NOTE | 1. All parameters NOT specially mentioned are measured at rated load and 25°C of ambient temperature. 2. Every 25 seconds, unit will send out test signal through "Battery Fail" relay contact and LED indicator once the battery is fail. | |

Mechanical Specification

Case No.923D Unit:mm



ADMISSIBLE DIN-RAIL:TS35/7.5 OR TS35/15

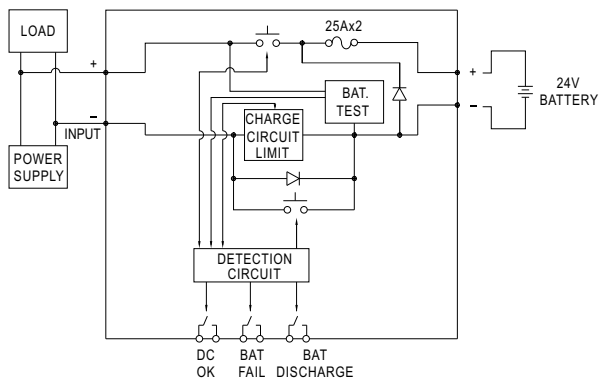
Terminal Pin No. Assignment (TB1)

| Pin No. | Assignment |
|---------|-----------------|
| 1 | BATTERY INPUT + |
| 2 | BATTERY INPUT - |
| 3 | DC INPUT - |
| 4 | DC INPUT + |

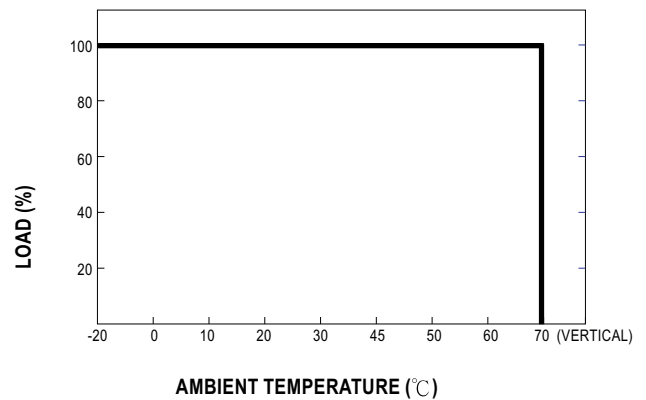
Terminal Pin No. Assignment (TB2)

| Pin No. | Assignment |
|---------|------------|
| 1 | BAT DISC 1 |
| 2 | BAT DISC 2 |
| 3 | BAT FAIL 1 |
| 4 | BAT FAIL 2 |
| 5 | DC OK 1 |
| 6 | DC OK 2 |

Block Diagram

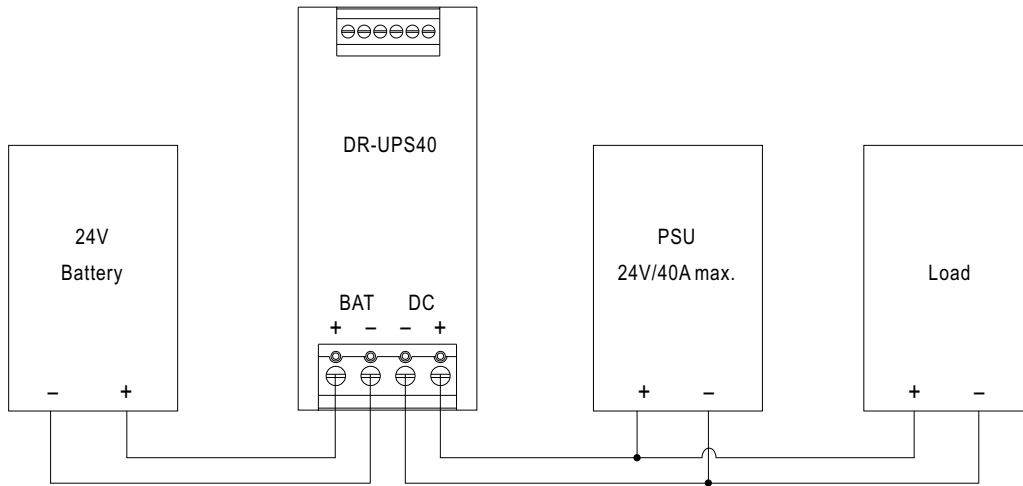


Derating Curve



■ Suggested Application

1. Back up connection for AC interruption



2. Combine redundancy module (DR-RDN20) to back up AC interruption or failure of PSU

